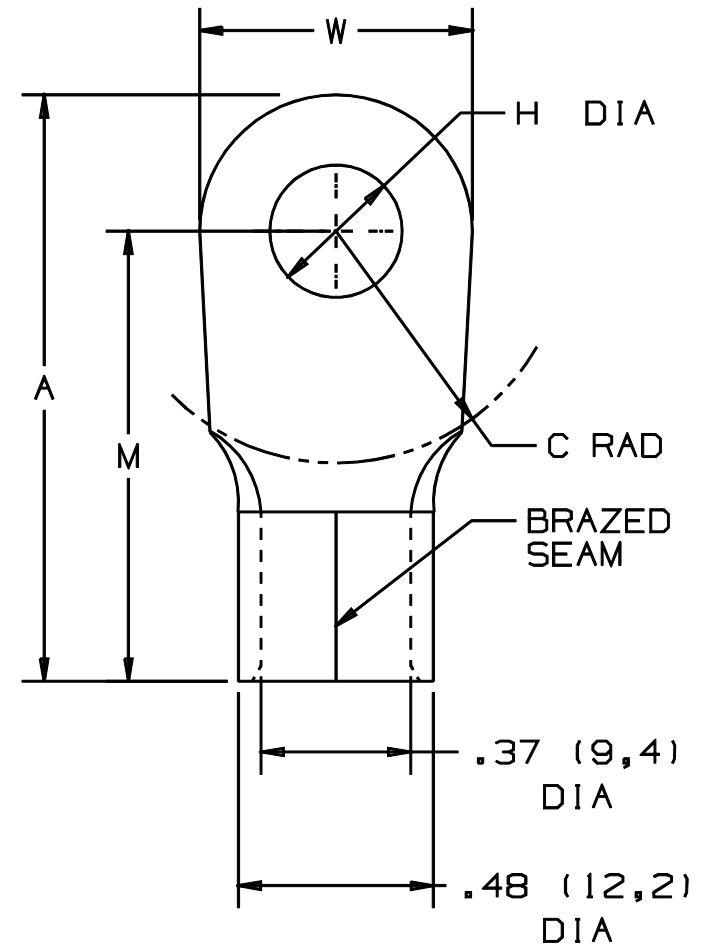


THIS COPY IS PROVIDED ON A RESTRICTED BASIS AND IS NOT TO BE USED IN ANY WAY DETRIMENTAL TO THE INTERESTS OF PANDUIT CORP.

PANDUIT PART NUMBER	PKG.	STUD SIZE	DIMENSIONS in.				
			A $\pm .03$	W $\pm .01$	C $\pm .02$	M $\pm .03$	H $\pm .01$
P2-10R	-X -T	#10	1.46 (37,1)	.68 (17,3)	.58 (14,7)	1.12 (28,5)	.20 (5,1)
P2-14R	-X -T	1/4"	1.46 (37,1)	.68 (17,3)	.58 (14,7)	1.12 (28,5)	.27 (6,9)
P2-56R	-X -T	5/16"	1.46 (37,1)	.68 (17,3)	.58 (14,7)	1.12 (28,5)	.33 (8,4)
P2-38R	-X -T	3/8"	1.46 (37,1)	.68 (17,3)	.58 (14,7)	1.12 (28,5)	.39 (9,9)
P2-12R *	-X -T	1/2"	1.55 (39,4)	.86 (21,8)	.58 (14,7)	1.12 (28,5)	.52 (13,2)



NOTES:

- UL LISTED AND CERTIFIED FOR:
 - 347° F (175° C) MAX OPERATING TEMP
 - #2 AWG STRANDED COPPER WIRE
- PACKAGE QTY: STD. PKG. -X=10
BULK PKG. -T=200
- MATERIAL: .060" (1,52) THK COPPER, TIN PLATED
- DIMENSIONS IN BRACKETS ARE IN MILLIMETERS
- INSTALLATION TOOL: CT-700 (OBSOLETE), CT-1701
- WIRE STRIP LENGTH: 7/16 $\pm 1/32$ (11,11 $\pm .8$)



LISTED
587H
E52164



CERTIFIED
LR31212

* P2-12R NOT CSA CERTIFIED

A41212_03

03	3/01	EJS		ADDED PACKAGE CODE TO CHART, ADDED CT-1701, ADDED "OBSOLETE" TO NOTE 5, FILE SPEC WAS N41212AA_PCD_02, METRIC DIM. WERE 2 PLACES						PANDUIT CORP.	TINLEY PARK, ILLINOIS
02	11/94	TH	RLS	UPDATED NOTES AND DIMENSIONS	02669	LA	TFKE			#2 BARREL NON-INSULATED RING TONGUE	
1	7-88	DW		REDRAWN WITH REVISIONS							
REV	DATE	BY	CHK	DESCRIPTION	ECN #	CUST	PM	DRAWN BY DAW	CHK'D RLS	SCALE NONE	DRAWING NO. A41212